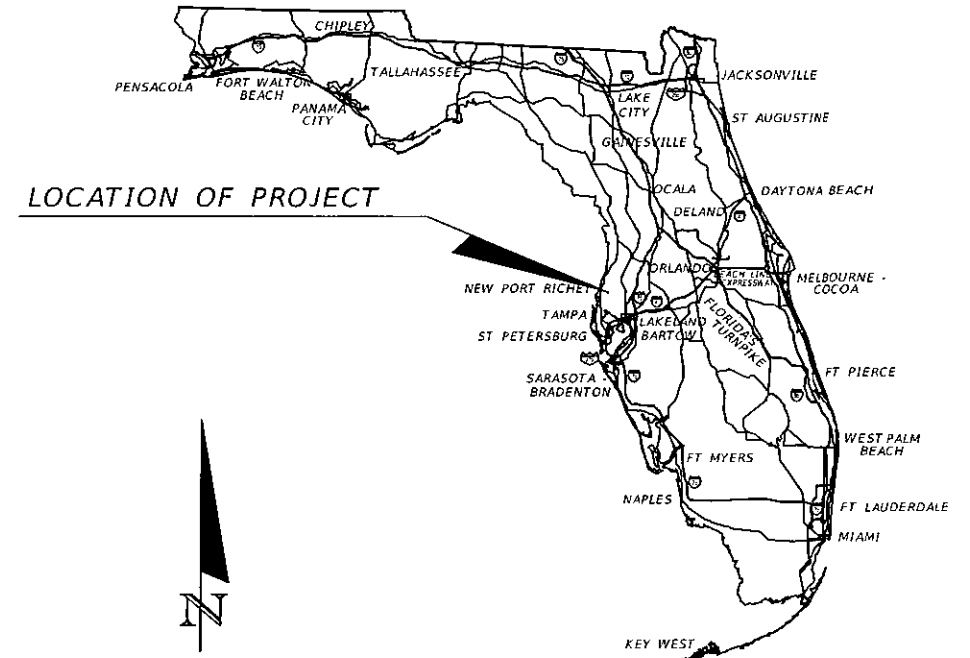




**CONTRACT PLANS**

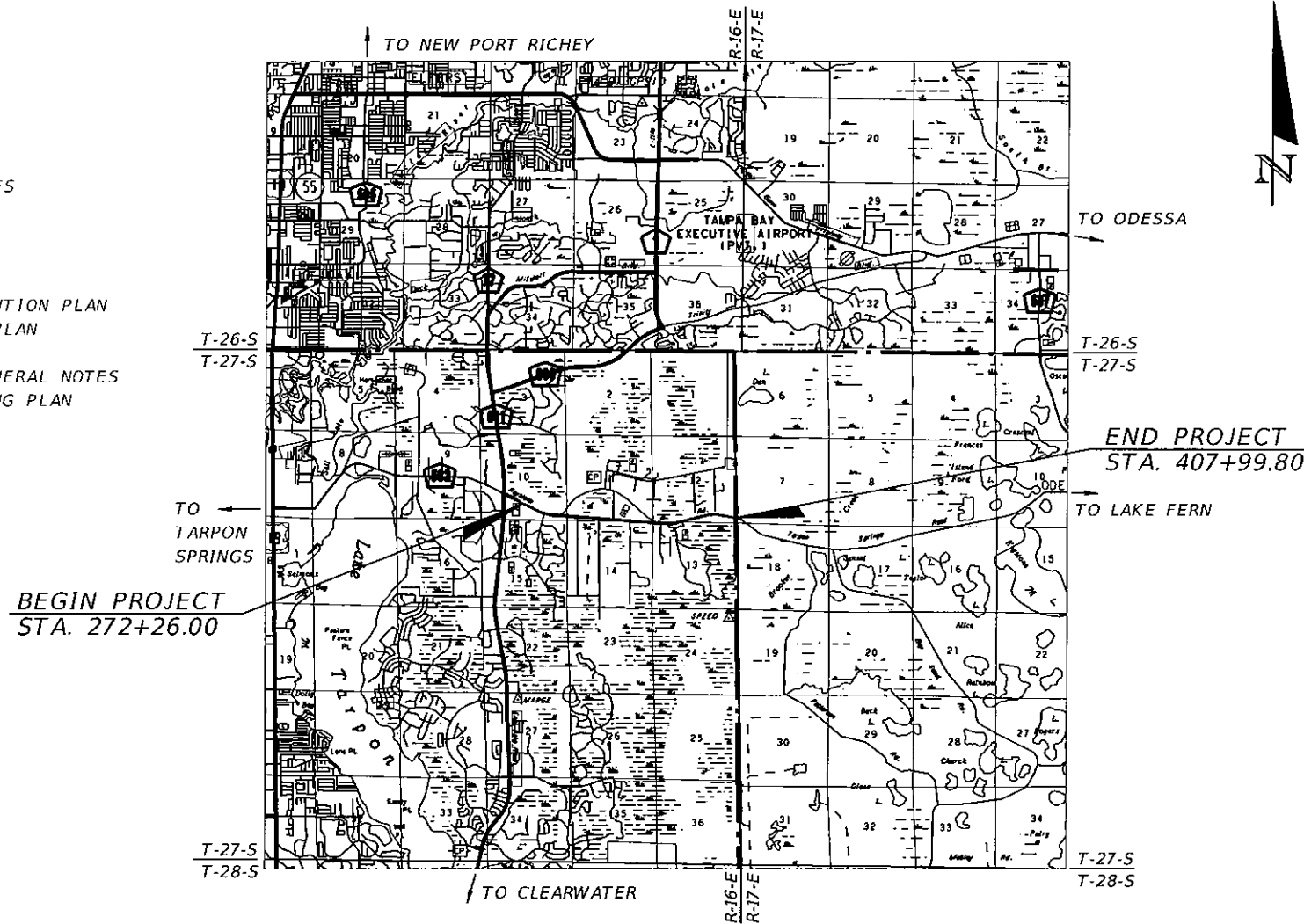
PINELLAS COUNTY PID 001769A  
 FINANCIAL PROJECT ID 436011-1-58-01  
 (FEDERAL FUNDS)

PINELLAS COUNTY (15560)  
 KEYSTONE ROAD (CR 582)  
 FROM EAST OF EAST LAKE ROAD TO  
 PINELLAS / HILLSBOROUGH COUNTY LINE



**INDEX OF ROADWAY PLANS**

SHEET NO.	SHEET DESCRIPTION
1	KEY SHEET
2	SIGNATURE SHEET
3	TYPICAL SECTION
4	TYPICAL SECTION DETAILS
5 - 6	OVERBUILD DETAILS
7 - 9	PROJECT LAYOUT
10	GENERAL NOTES
11	EXISTING DRAINAGE STRUCTURES
12 - 24	ROADWAY PLAN
25 - 28	DRAINAGE STRUCTURES
29	ROADWAY SOIL SURVEY
30	ROADWAY SOIL PROFILES
31 - 34	STORMWATER POLLUTION PREVENTION PLAN
35	TEMPORARY TRAFFIC CONTROL PLAN
36 - 48	UTILITY ADJUSTMENTS
49	SIGNING & PAVT. MARKING GENERAL NOTES
50 - 62	SIGNING AND PAVEMENT MARKING PLAN
CTL-1	PROJECT NETWORK CONTROL



**GOVERNING DESIGN STANDARDS:**

Florida Department of Transportation, FY 2016-17 Design Standards eBook (DSeB) and applicable Design Standards Revisions (DSRs) at the following website:  
<http://www.dot.state.fl.us/rddesign/DesignStandards/Standards.shtm>.

**GOVERNING STANDARD SPECIFICATIONS:**

Pinellas County Public Works Standard Technical Specifications for Roadway and General Construction, (latest version), and Divisions II and III of the Florida Department of Transportation, January, 2017 Standard Specifications for Road and Bridge Construction at the following website:  
<http://www.dot.state.fl.us/programmanagement/Implemented/SpecBooks>

**ROADWAY PLANS  
 ENGINEER OF RECORD:**

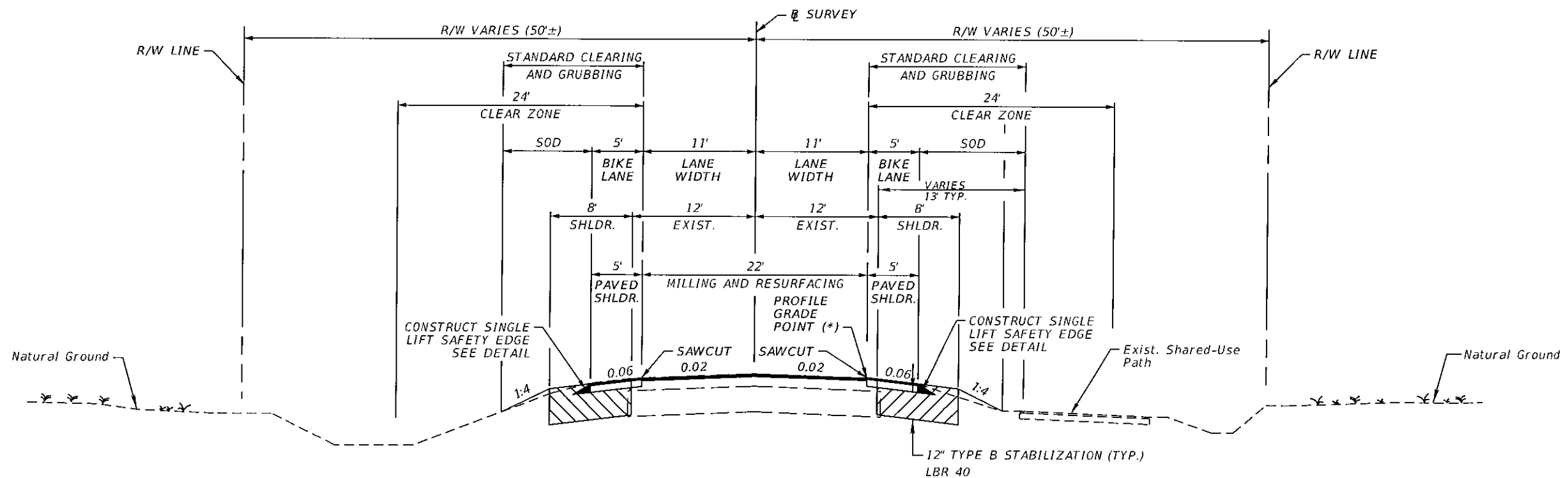
DEREK M. GIL, P.E.  
 P.E. NO.: 54798  
 ELEMENT ENGINEERING GROUP  
 1713 E. 9th AVENUE  
 TAMPA, FL 33605  
 CONTRACT NO.: C-9364  
 VENDOR NO.: 56-2565488  
 CERTIFICATE OF AUTHORIZATION NO.: 26921

**PROJECT MANAGER:**

THOMAS WASHBURN, P.E.

CONSTRUCTION CONTRACT NO.	FISCAL YEAR	SHEET NO.
	17	1

THE OFFICIAL RECORD OF THIS SHEET IS THE ELECTRONIC FILE DIGITALLY SIGNED AND SEALED UNDER RULE 61G15-23.004, F.A.C.



**TYPICAL SECTION  
KEYSTONE ROAD (CR 582)  
STA. 272+26.00 TO STA. 362+00.35**

- CROSS SLOPE CORRECTION  
MILLING FOR DEPTH  
MILL EXISTING ASPHALT PAVEMENT FOR DEPTH (1 1/2")

---

- OVERBUILD FOR SLOPE CORRECTION  
TYPE SP OVERBUILD (TRAFFIC C)  
THICKNESS VARIES (5/16" TO 11/16")

---

- RESURFACING  
TYPE SP ASPHALTIC CONCRETE (TRAFFIC C) (1 1/2")

---

- SHOULDER PAVEMENT  
OPTIONAL BASE GROUP 1 WITH  
TYPE SP ASPHALTIC CONCRETE (TRAFFIC C) (1 1/2")

**KEYSTONE ROAD (CR 582)  
STA. 362+00.35 TO STA. 407+99.80**

- CROSS SLOPE CORRECTION  
MILLING FOR DEPTH  
MILL EXISTING ASPHALT PAVEMENT FOR DEPTH (1 1/2")

---

- OVERBUILD FOR SLOPE CORRECTION  
TYPE SP OVERBUILD (TRAFFIC C)  
THICKNESS VARIES (1/2" TO 11/16")

---

- RESURFACING  
TYPE SP ASPHALTIC CONCRETE (TRAFFIC C) (3")

---

- SHOULDER PAVEMENT  
OPTIONAL BASE GROUP 1 WITH  
TYPE SP ASPHALTIC CONCRETE (TRAFFIC C) (1 1/2")

**TRAFFIC DATA**

CURRENT YEAR = 2013 AADT = 11975  
 ESTIMATED OPENING YEAR = 2016 AADT = 14262  
 ESTIMATED DESIGN YEAR = 2026 AADT = 25542  
 K = 9.5% D = 58.2% T = 7.2% (24 HOUR)  
 DESIGN HOUR T = Not Available  
 DESIGN SPEED = 55 MPH  
 POSTED SPEED = 45 MPH

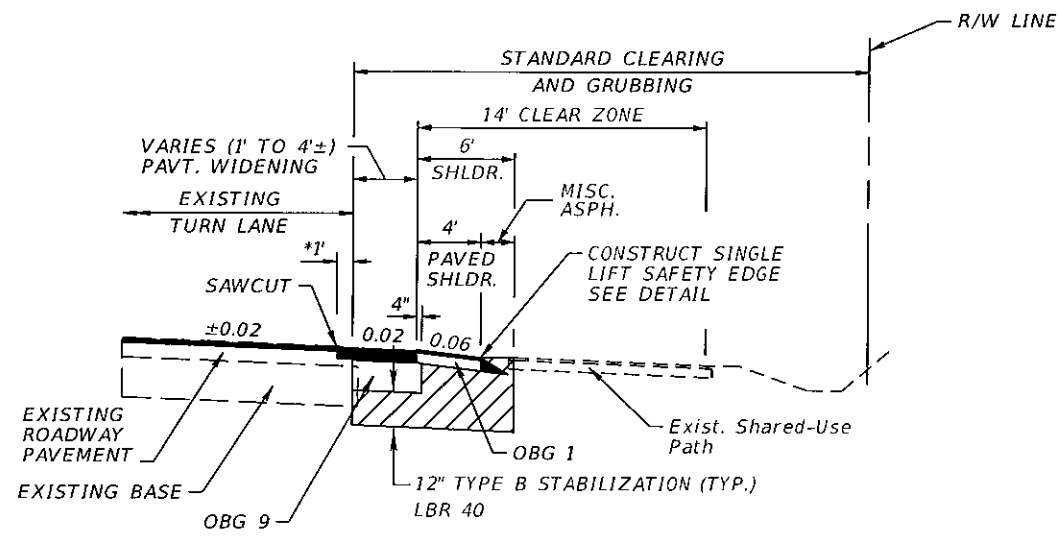
**NOTE**

OPTIONAL BASE GROUPS TO BE CRUSHED  
 CONCRETE OR ASPHALT.

REVISIONS				ELEMENT ENGINEERING GROUP 1713 E. 9th AVENUE TAMPA, FL 33605 CERTIFICATE OF AUTHORIZATION 26921 DEREK M. GIL, P.E. P.E. LICENSE NUMBER: 54798	PINELLAS COUNTY PUBLIC WORKS			SHEET NO.  3
DATE	DESCRIPTION	DATE	DESCRIPTION		ROAD NO.	COUNTY PID	FINANCIAL PROJECT ID	
					CR 582	001769A	436011-1-58-01	

**TYPICAL SECTION**

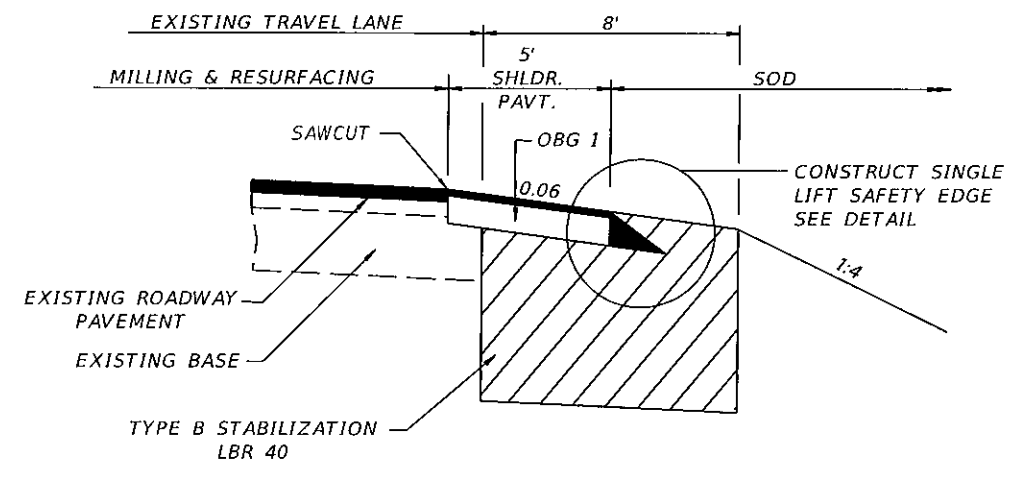
NOTICE: THE OFFICIAL RECORD OF THIS SHEET IS THE ELECTRONIC FILE DIGITALLY SIGNED AND SEALED UNDER RULE 61G15-23.004, F.A.C.



\* 1' OVERLAP OF STRUCTURAL COURSE ACROSS PAVEMENT WIDENING/RECONSTRUCTION JOINT. MILL THE EXISTING ASPHALT PAVEMENT FOR A DEPTH OF 3".

**TURN LANE WIDENING DETAIL**  
STA. 370+83.53 TO STA. 373+36.34

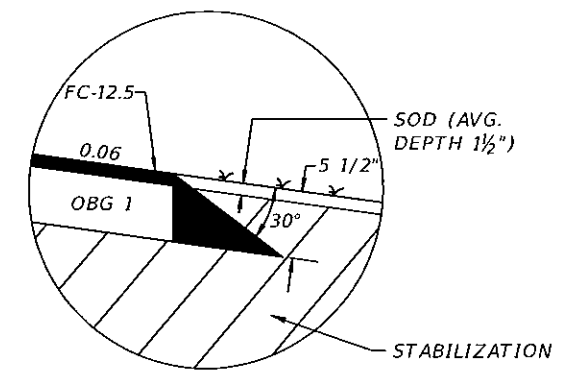
**PAVEMENT**  
OPTIONAL BASE GROUP 9 WITH  
TYPE SP STRUCTURAL COURSE (TRAFFIC C) (1½") AND  
FRICTION COURSE FC-12.5 (TRAFFIC C) (1½") (PG 76-22, PMA)



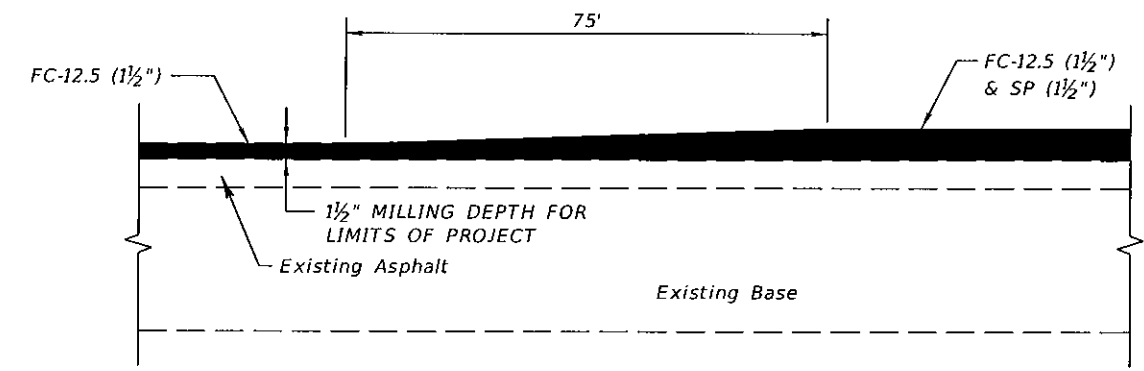
**SHOULDER PAVEMENT DETAIL**  
N.T.S.

**SAFETY EDGE BEVELED PAVEMENT NOTES**

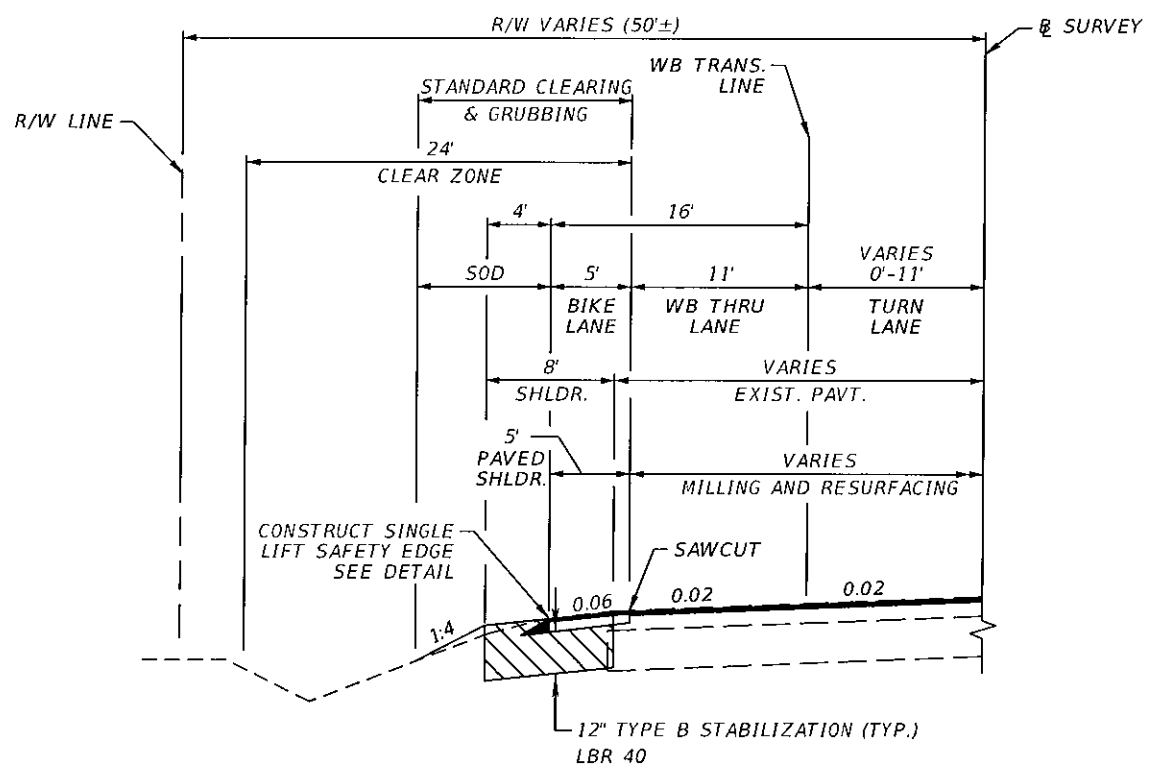
1. THE SAFETY EDGE TREATMENT IS CONSTRUCTED AS PART OF THE FRICTION COURSE.
2. THE SAFETY EDGE BEVELED PAVEMENT SHALL NOT BE FLATTER THAN 1:1.8 (29°) OR STEEPER THAN 1:1.2 (40°) TO THE OUTER EDGE OF THE BEVELED PAVEMENT, AS MEASURED BY EXTENSION OF THE PAVEMENT CROSS SLOPE.



**SINGLE LIFT SAFETY EDGE DETAIL**  
N.T.S.



**LONGITUDINAL DETAIL FOR PAVEMENT THICKNESS ADJUSTMENT**  
STA. 361+25.35 TO STA. 362+00.35  
STA. 407+24.80 TO STA. 407+99.80

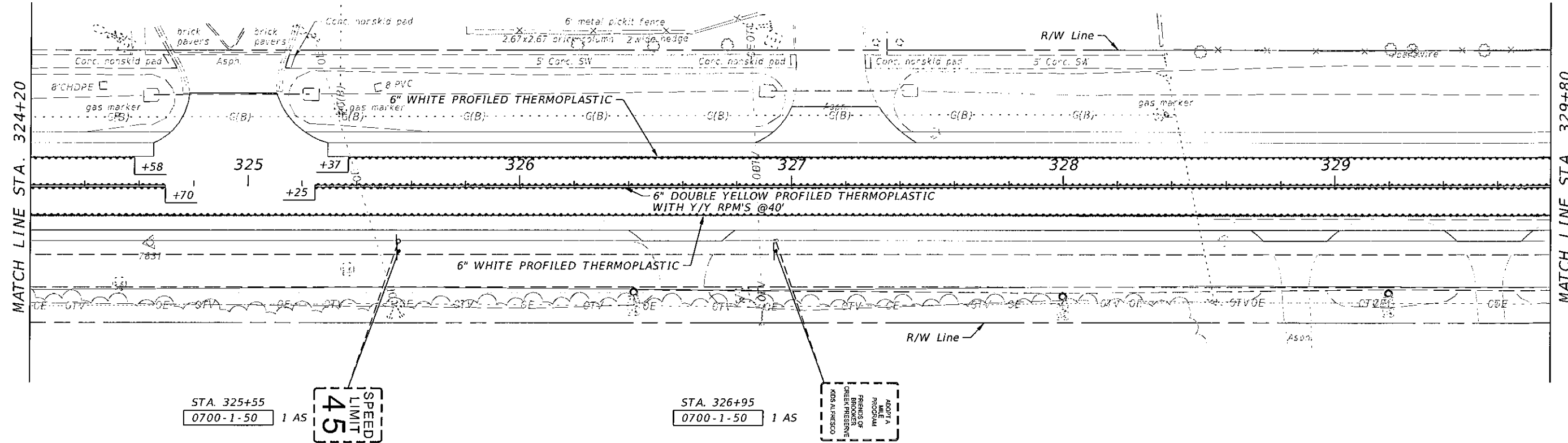
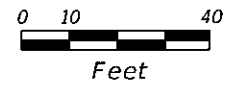


**WESTBOUND TRANSITION LINE DETAIL**  
STA. 281+25.97 TO STA. 297+07.28  
STA. 368+95.00 TO STA. 381+65.00

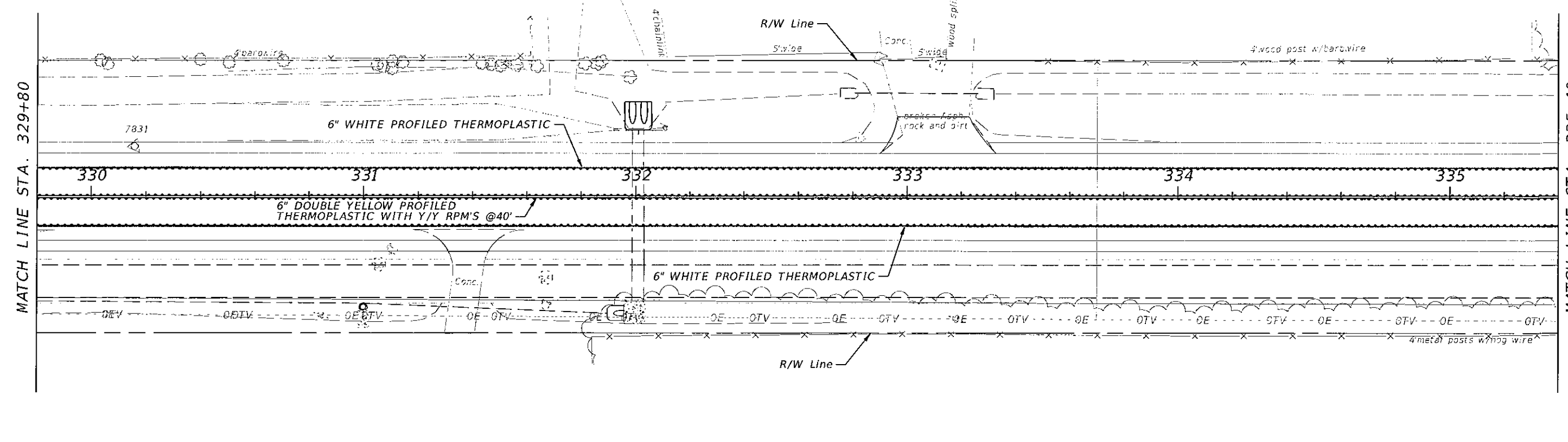
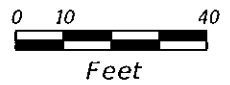
REVISIONS				ELEMENT ENGINEERING GROUP 1713 E. 9th AVENUE TAMPA, FL 33605 CERTIFICATE OF AUTHORIZATION 26921 DEREK M. GIL, P.E. P.E. LICENSE NUMBER: 54798	PINELLAS COUNTY PUBLIC WORKS			TYPICAL SECTION DETAILS	SHEET NO. 4
DATE	DESCRIPTION	DATE	DESCRIPTION		ROAD NO.	COUNTY PID	FINANCIAL PROJECT ID		
					CR 582	001769A	436011-1-58-01		

NOTICE: THE OFFICIAL RECORD OF THIS SHEET IS THE ELECTRONIC FILE DIGITALLY SIGNED AND SEALED UNDER RULE 61G15-23.004, F.A.C.

KEYSTONE RD. (CR 582)



KEYSTONE RD. (CR 582)



REVISIONS		ELEMENT ENGINEERING GROUP 1713 E. 9th AVENUE TAMPA, FL 33605 CERTIFICATE OF AUTHORIZATION 26921 DEREK M. GIL, P.E. P.E. LICENSE NUMBER: 54798		PINELLAS COUNTY PUBLIC WORKS			<b>SIGNING AND PAVEMENT MARKING PLAN</b>	SHEET NO.
DATE	DESCRIPTION	DATE	DESCRIPTION	ROAD NO.	COUNTY PID	FINANCIAL PROJECT ID		
				CR 582	001769A	436011-1-58-01		55

NOTICE: THE OFFICIAL RECORD OF THIS SHEET IS THE ELECTRONIC FILE DIGITALLY SIGNED AND SEALED UNDER RULE 61G15-23.004, F.A.C.